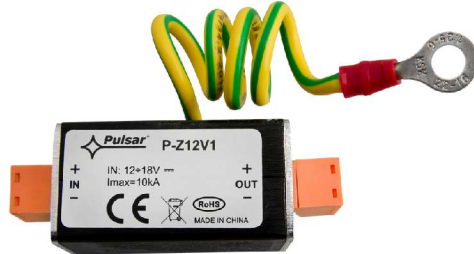


CODE: **P-Z12V1** v.1.0/I EN**
 TYPE: **P- Z12V1 Surge protector for the DC12V power supply circuit (screw terminals)**



DESCRIPTION

Atmospheric discharges produce a very large amount of energy, which induces surges in power networks, causing damage to electrical and electronic equipment.

P-Z12V1 is designed to protect devices powered from 12VDC. The device includes gas protectors, which allow absorbing voltage spikes and discharging loads to the ground through protective (PE) conductors. Proper protection of the devices depends on proper grounding or protective (PE) conductor.

The housing is made of aluminum to provide good shielding of the system and resistance to mechanical damage.

TECHNICAL DATA

The rated voltage of the protected circuit U_N	12V DC
Maximum Continuous Operating Voltage U_C	18V DC
Nominal discharge current (8/20μs) wire-ground I_{SN} (I_N)	5kA
Maximum discharge current	10kA
Operation temperature	-25°C ÷ 60°C
Protection class	IP20
Connector type input / output	Separable terminal strip (screw connector)
Dimensions	25 x 25 x 70mm
Net / gross weight	0,05kg/0,07kg
Declarations, warranty	CE, one year from the production date

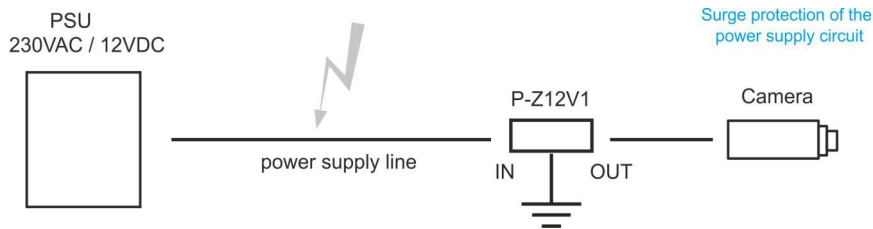


Fig. 1. Surge protection of the 12VDC power supply circuit

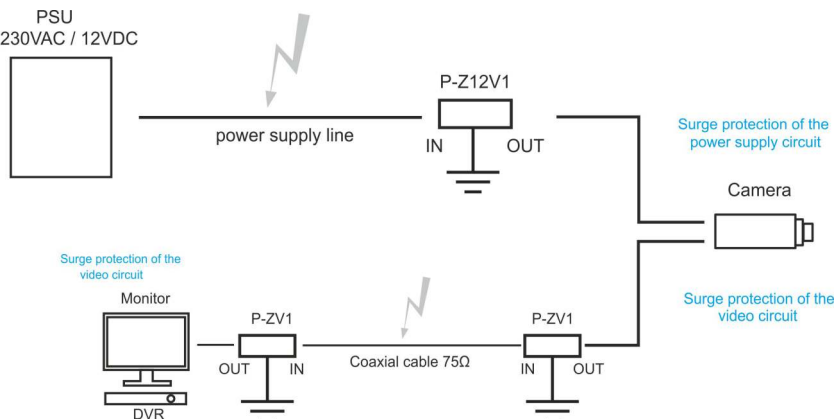


Fig. 2. Surge protection of the 12VDC power supply circuit and video circuit