

DS-1604ZJ-P

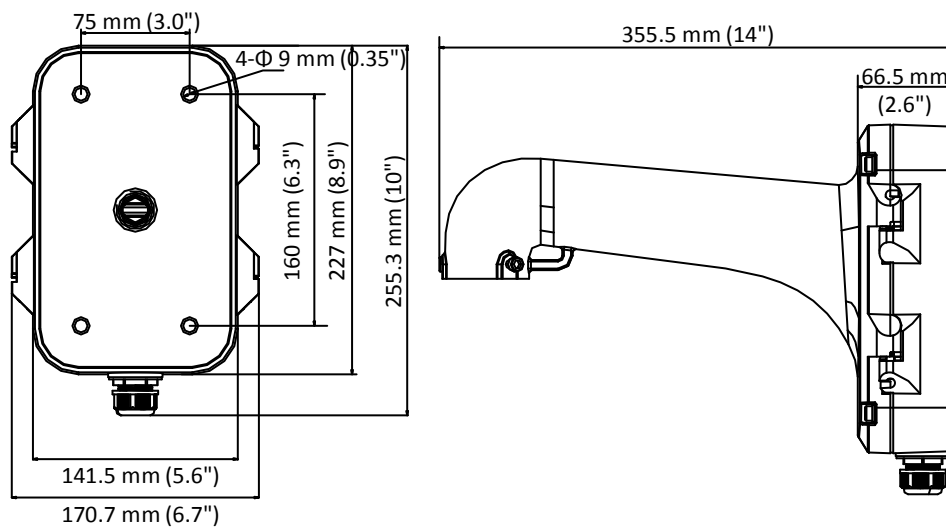
Wall Mount for Speed Dome



Feature

- Wall mount with the junction box
- Aluminum alloy with surface spray treatment
- Waterproof design
- Bottom outlet, and back outlet
- The hook for safety rope facilitates speed dome's installation

Dimension



Available Model

DS-1604ZJ-P

Parameter

Model	DS-1604ZJ-P
Parameters	Wall Mount for Speed Dome
Appearance	Platinum Gray
Material	Aluminum Alloy
Dimension	355.5 mm × 255.3 mm × 170.7 mm (14" × 10" × 6.7")
Weight	2150 g (4.7 lb.)

Note

- The mount should be installed on the flat surface.
- Waterproof rubber is necessary for the outdoor application.
- The wall must be capable of supporting at least 3 times as much as the total weight of the speed dome, and the mount.
- The mount's maximum load capacity is 10 kg (22 lb.).