

HSM2108 v1.0 Installation Instructions

8-Zone Expander Module

This Installation sheet shall be used in conjunction with the Installation Manual of the DSC equipment to which HSM2108 is connected or powered from (e.g. alarm controller, power supply, etc.). The HSM2108 module can be used to extend up to 8 hardwired input zones on the compatible DSC Alarm Control Panel (Alarm Panel), models HS2016, HS2032, HS2064, and HS2128.

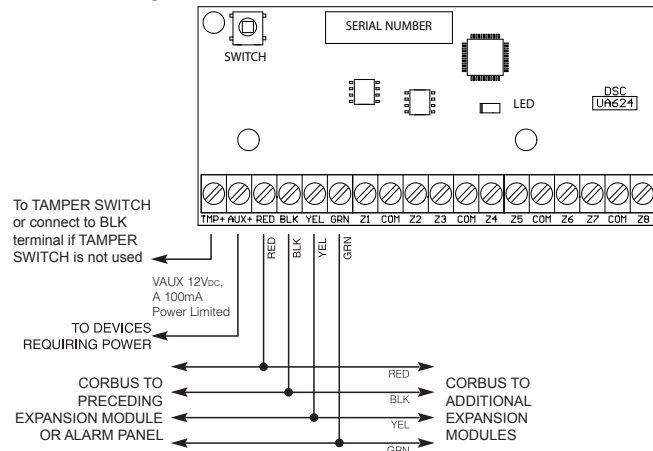
General

HSM2108 may be installed in the same metallic cabinet as the alarm controller/power supply (model Power UC1, PC5003C) or in a separate enclosure (PC4003C). Internal and/or external wiring for the HSM2108 shall be routed, supported, clamped or secured in a manner that reduces the likelihood of (a) excessive strain on wire and terminal connections, (b) loosening of terminal connections, and (c) damage of conductor insulation.

Specifications

- Temperature range: -10°C to +55°C (0°C to +49°C for UL/ULC listed systems)
- Relative Humidity: 93% non condensing
- Input rating: 10.8 to 12.5VDC/130mA (provided by the alarm controller or separate power supply)
- Board current draw: 40mA
- Board dimensions: 45mm x 92mm
- VAUX output ratings: 10.8 to 12.5Vdc.
- Resettable fuse (PTC) used on circuit board instead of replaceable fuses
- Maximum wire length from alarm panel: 1,000'/305m (22 AWG)

Terminal Descriptions



TMP - Used to tamper the cabinet in which the HSM2108 is mounted. Connect a normally closed (NC) switch across TAM and BLK. If the tamper is not being used connect a piece of wire across TAM and BLK to remove the trouble condition.

There is a built-in tamper switch on the expander module located in the top left corner of the circuit board. If the cabinet in which the HSM2108 is mounted has the hardware required to depress this tamper switch, do not connect anything to the TAM terminal.

NOTE: Tamper protect is required for UL/ULC commercial/residential burglary installations.

AUX+ - Used to provide power for devices. Maximum current draw is not to exceed 100 mA. Connect the positive lead of powered devices to VAUX and the negative to BLK or any COM terminal.

CORBUS - The 4-wire Corbus connection is used by the panel to communicate with the module. Connect the RED, BLK, YEL and GRN terminals to the Corbus terminals on the HS2016, HS2032, HS2064, or HS2128 main control.

Z1 to Z8 - Wire the zones according to the description found in the control panel Installation Manual.

NOTE: UL/ULC installations require single end-of-line or double end-of-line configuration with 5600Ω resistors.

Enclosures

The HSM2108 can be installed in the metal enclosures listed below. Tamper protection switches can be installed on all enclosures, including door opening protection and/or removal from the mounting position. Doors can be secured using screws or keylock.

- Model PC5003C (removable door)
- Model PC5003C (hinged door)
- Model Power UC1
- Model PC4003C
- Model CMC-1
- Model PC4050CAR (commercial burglary)
- Model PC4050CR (ULC--S559)

NOTE: Use PC4003C, PC5003C, CMC-1, PC4050CAR, or PC4050CR for UL/ULC installations

Automatically Enrolling on the Alarm Panel

When a HSM2108 is enrolled on the alarm panel, it will take the next available bank of 8 zones. To enroll the HSM2108 follow these steps:

1. Ensure that the system is not powered.
2. Connect the HSM2108 to the Corbus.
3. Power up the system.
4. Enter section [902] [000] and wait 1 minute.
5. Enter section [903] [102] to verify that the module is supervised.
6. Define the zones in section [001].
7. Configure zone attributes in section [002].
8. Add the zones to the appropriate partition in sections [201]-[208].

Manually Enrolling on the Alarm Panel

When a HSM2108 is enrolled on the alarm panel, it will take the next available bank of 8 zones. To enroll the HSM2108 follow these steps:

1. Ensure that the system is not powered.
2. Connect HS2108 to the Corbus.
3. Power up the system.
4. Enter section [902] [001].
5. Enter the module serial number.
6. Enter section [903] [102] to verify that the module is supervised.
7. Define the zones in section [001].
8. Configure zone attributes in section [002].
9. Add the zones to the appropriate partition in sections [201]-[208].

Status LED

The HSM2108 is equipped with a status LED to indicate the current status of the module. If the HSM2108 is operating correctly, the status LED will flash briefly every 10 seconds. When a trouble condition is present, the status LED will display a series of flashes then remain blank for 1.7 seconds. The number of flashes between blank periods indicates the trouble condition present as outlined in the table below.

Number of Flashes	Trouble Condition
1	Module not enrolled
2	Alarm Panel supervision trouble
3	Corbus low voltage

LIMITED WARRANTY

Digital Security Controls (DSC) warrants that for a period of twelve months from the date of purchase, the product shall be free of defects in materials and workmanship under normal use and that in fulfillment of any breach of such warranty, DSC shall, at its option, repair or replace the defective equipment upon return of the equipment to its factory. This warranty applies only to defects in parts and workmanship and not to damage incurred in shipping or handling, or damage due to causes beyond the control of DSC such as lightning, excessive voltage, mechanical shock, water damage, or damage arising out of abuse, alteration or improper application of the equipment.

The foregoing warranty shall apply only to the original buyer, and is and shall be in lieu of any and all other warranties, whether expressed or implied and of all other obligations or liabilities on the part of DSC. This warranty contains the entire warranty. Digital Security Controls neither assumes responsibility for, nor authorizes any other person purporting to act on its behalf to modify or to change this warranty, nor to assume for it any other losses incurred by the buyer in connection with the purchase, installation or operation or failure of this product.

Warning: Digital Security Controls recommends that the entire system be completely tested on a regular basis. However, despite frequent testing, and due to, but not limited to, criminal tampering or electrical disruption, it is possible for this product to fail to perform as expected.

IMPORTANT - READ CAREFULLY: DSC SOFTWARE PURCHASED WITH OR WITHOUT PRODUCTS AND COMPONENTS IS COPYRIGHTED AND IS PURCHASED UNDER THE FOLLOWING LICENSE TERMS:

This End-User License Agreement ("EULA") is a legal agreement between You (the company, individual or entity who acquired the Software and any related Hardware) and Digital Security Controls, a division of Tyco Safety Products Canada Ltd. ("DSC"), the manufacturer of the integrated security systems and the developer of the software and any related products or components ("HARDWARE") which You acquired. If the DSC software product ("SOFTWARE PRODUCT" or "SOFTWARE") is

intended to be accompanied by HARDWARE, and is NOT accompanied by new HARDWARE, You may not use, copy or install the SOFTWARE PRODUCT. The SOFTWARE PRODUCT includes computer software, and may include associated media, printed materials, and "online" or electronic documentation. Any software provided along with the SOFTWARE PRODUCT that is associated with a separate end-user license agreement is licensed to You under the terms of that license agreement. By installing, copying, downloading, storing, accessing or otherwise using the SOFTWARE PRODUCT, You agree unconditionally to be bound by the terms of this EULA, even if this EULA is deemed to be a modification of any previous arrangement or contract. If You do not agree to the terms of this EULA, DSC is unwilling to license the SOFTWARE PRODUCT to You, and You have no right to use it.

SOFTWARE PRODUCT LICENSE

The SOFTWARE PRODUCT is protected by copyright laws and international copyright treaties, as well as other intellectual property laws and treaties. The SOFTWARE PRODUCT is licensed to You, and You may not copy, reproduce, distribute, sell, rent, lease, loan, sublicense, or otherwise transfer the SOFTWARE PRODUCT.

1. GRANT OF LICENSE This EULA grants You the following rights:

- (a) Software Installation and Use - For each license You acquire, You may have only one copy of the SOFTWARE PRODUCT installed.
- (b) Storage/Network Use - The SOFTWARE PRODUCT may not be installed, accessed, displayed, run, shared or used concurrently on or from different computers, including a workstation, terminal or other digital electronic device ("Device"). In other words, if You have several workstations, You will have to acquire a license for each workstation where the SOFTWARE will be used.
- (c) Backup Copy - You may make back-up copies of the SOFTWARE PRODUCT, but You may only have one copy per license installed at any given time. You may use the back-up copy solely for archival purposes. Except as expressly provided in this EULA, You may not otherwise make copies of the SOFTWARE PRODUCT, including the printed materials accompanying the SOFTWARE.

2. DESCRIPTION OF OTHER RIGHTS AND LIMITATIONS

- (a) Limitations on Reverse Engineering, Decompilation and Disassembly - You may not reverse engineer, decompile, or disassemble the SOFTWARE PRODUCT, except and only to the extent that such activity is expressly permitted by applicable law notwithstanding this limitation. You may not make any changes or modifications to the Software, without the written permission of an officer of DSC. You may not remove any proprietary notices, marks or labels from the Software Product. You shall institute reasonable measures to ensure compliance with the terms and conditions of this EULA.
- (b) Separation of Components - The SOFTWARE PRODUCT is licensed as a single product. Its component parts may not be separated for use on more than one HARDWARE unit.
- (c) Single INTEGRATED PRODUCT - If You acquired this SOFTWARE with HARDWARE, then the SOFTWARE PRODUCT is licensed with the HARDWARE as a single integrated product. In this case, the SOFTWARE PRODUCT may only be used with the HARDWARE as set forth in this EULA.

- (d) Rental - You may not rent, lease or lend the SOFTWARE PRODUCT. You may not make it available to others or post it on a server or web site.
- (e) Software Product Transfer - You may transfer all of Your rights under this EULA only as part of a permanent sale or transfer of the HARDWARE, provided You retain no copies. You transfer all of the SOFTWARE PRODUCT (including all component parts, the media and printed materials, any upgrades and this EULA), and provided the recipient agrees to the terms of this EULA. If the SOFTWARE PRODUCT is an upgrade, any transfer must also include all prior versions of the SOFTWARE PRODUCT.

- (f) Termination - Without prejudice to any other rights, DSC may terminate this EULA if You fail to comply with the terms and conditions of this EULA. In such event, You must destroy all copies of the SOFTWARE PRODUCT and all of its component parts.
- (g) Trademarks - This EULA does not grant You any rights in connection with any trademarks or service marks of DSC or its suppliers.

3. COPYRIGHT - All title and intellectual property rights in and to the SOFTWARE PRODUCT (including but not limited to any images, photographs, and text incorporated into the SOFTWARE PRODUCT), the accompanying printed materials, and any copies of the SOFTWARE PRODUCT, are owned by DSC or its suppliers. You may not copy the printed materials accompanying the SOFTWARE PRODUCT. All title and intellectual property rights in and to the content which may be accessed through use of the SOFTWARE PRODUCT are the property of the respective content owner and may be protected by applicable copyright or other intellectual property laws and treaties. This EULA grants You no rights to use such content. All rights not expressly granted under this EULA are reserved by DSC and its suppliers.
4. EXPORT RESTRICTIONS - You agree that You will not export or re-export the SOFTWARE PRODUCT to any country, person, or entity subject to Canadian export restrictions.

5. CHOICE OF LAW - This Software License Agreement is governed by the laws of the Province of Ontario, Canada.

6. ARBITRATION - All disputes arising in connection with this Agreement shall be determined by final and binding arbitration in accordance with the Arbitration Act, and the parties agree to be bound by the arbitrator's decision. The place of arbitration shall be Toronto, Canada, and the language of the arbitration shall be English.

7. LIMITED WARRANTY

- (a) NO WARRANTY - DSC PROVIDES THE SOFTWARE "AS IS" WITHOUT WARRANTY. DSC DOES NOT WARRANT THAT THE SOFTWARE WILL MEET YOUR REQUIREMENTS OR THAT OPERATION OF THE SOFTWARE WILL BE UNINTERRUPTED OR ERROR-FREE.
- (b) CHANGES IN OPERATING ENVIRONMENT - DSC shall not be responsible for problems caused by changes in the operating characteristics of the HARDWARE, or for problems in the interaction of the SOFTWARE PRODUCT with non-DSC SOFTWARE or HARDWARE PRODUCTS.

- (c) LIMITATION OF LIABILITY; WARRANTY REFLECTS ALLOCATION OF RISK - IN AN EVENT, IF ANY STATUTE IMPLIES WARRANTIES OR CONDITIONS NOT STATED IN THIS LICENSE AGREEMENT, DSC'S ENTIRE LIABILITY UNDER ANY PROVISION OF THIS LICENSE AGREEMENT SHALL BE LIMITED TO THE GREATER OF THE AMOUNT ACTUALLY PAID BY YOU TO LICENSE THE SOFTWARE PRODUCT AND FIVE CANADIAN DOLLARS (CAD\$5.00). BECAUSE SOME JURISDICTIONS DO NOT ALLOW THE EXCLUSION OR LIMITATION OF LIABILITY FOR CONSEQUENTIAL OR INCIDENTAL DAMAGES, THE ABOVE LIMITATION MAY NOT APPLY TO YOU.

- (d) DISCLAIMER OF WARRANTIES - THIS WARRANTY CONTAINS THE ENTIRE WARRANTY AND SHALL BE IN LIEU OF ANY AND ALL OTHER WARRANTIES, WHETHER EXPRESSED OR IMPLIED (INCLUDING ALL IMPLIED WARRANTIES OF MERCHANTABILITY OR FITNESS FOR A PARTICULAR PURPOSE) AND OF ALL OTHER OBLIGATIONS OR LIABILITIES ON THE PART OF DSC. DSC MAKES NO OTHER WARRANTIES. DSC NEITHER ASSUMES NOR AUTHORIZES ANY OTHER PERSON PURPORTING TO ACT ON ITS BEHALF TO MODIFY OR TO CHANGE THIS WARRANTY, NOR TO ASSUME FOR IT ANY OTHER WARRANTY OR LIABILITY CONCERNING THIS SOFTWARE PRODUCT.

- (e) EXCLUSIVE REMEDY AND LIMITATION OF WARRANTY - UNDER NO CIRCUMSTANCES SHALL DSC BE LIABLE FOR ANY SPECIAL, INCIDENTAL, CONSEQUENTIAL OR INDIRECT DAMAGES BASED UPON BREACH OF WARRANTY, BREACH OF CONTRACT, NEGLIGENCE, STRICT LIABILITY, OR ANY OTHER LEGAL THEORY. SUCH DAMAGES INCLUDE, BUT ARE NOT LIMITED TO, LOSS OF PROFITS, LOSS OF THE SOFTWARE PRODUCT OR ANY ASSOCIATED EQUIPMENT, COST OF CAPITAL, COST OF SUBSTITUTE OR REPLACEMENT EQUIPMENT, FACILITIES OR SERVICES, DOWNTIME, PURCHASERS TIME, THE CLAIMS OF THIRD PARTIES, INCLUDING CUSTOMERS, AND INJURY TO PROPERTY. WARNING: DSC recommends that the entire system be completely tested on a regular basis. However, despite frequent testing, and due to, but not limited to, criminal tampering or electrical disruption, it is possible for this SOFTWARE PRODUCT to fail to perform as expected. EN CERTIFICATION

The model HSM2108 zone expander has been certified by Telefication according to:

- ENS0131-1:2006 + A1:2009
- ENS0131-3:2009 for Grade 2, Class II.

The term IC before the radio certification number signifies that the Industry Canada technical specifications were met. This Class B digital apparatus complies with Canadian ICES-003. This device complies with RSS-210 of Industry Canada. Operation is subject to the following two conditions: (1) this device may not cause interference, and (2) this device must accept any interference, including interference that may cause undesired operation of the device. Ce appareil numérique de la classe B est conforme à la norme NMB-003 du Canada. Ce dispositif satisfait aux exigences d'Industrie Canada, prescrites dans le document CNR-210, son utilisation est autorisée seulement aux conditions suivantes: (1) il ne doit pas produire de brouillage et (2) l'utilisateur du dispositif doit être prêt à accepter tout brouillage radioélectrique reçu, même si ce brouillage est susceptible de compromettre le fonctionnement du dispositif.

FCC COMPLIANCE STATEMENT

CAUTION: Changes or modifications not expressly approved by DSC could void your authority to use this equipment.

This equipment generates and uses radio frequency energy and if not installed and used properly, in strict accordance with the manufacturer's instructions, may cause interference to radio and television reception. It has been type tested and found to comply with the limits for Class B device in accordance with the specifications in Subpart "B" of Part 15 of FCC Rules, which are designed to provide reasonable protection against such interference in any residential installation. However, there is no guarantee that interference will not occur in a particular installation. If this equipment does cause interference to television or radio reception, which can be determined by turning the equipment off and on, the user is encouraged to try to correct the interference by one or more of the following measures:

- Re-orient the receiving antenna
- Relocate the alarm control with respect to the receiver
- Move the alarm control away from the receiver
- Connect the alarm control into a different outlet so that alarm control and receiver are on different circuits.

If necessary, the user should consult the dealer or an experienced radio/television technician for additional suggestions. The user may find the following booklet prepared by the FCC useful: "How to Identify and Resolve Radio/Television Interference Problems". This booklet is available from the U.S. Government Printing Office, Washington D.C. 20402. Stock # 004-000-00345-4.



DSC
A Tyco International Company

©2014 Digital Security Controls Toronto, Canada ~ www.dsc.com
Tech. Support: 1-800-387-3630 (Canada & U.S.), 905-760-3036



HSM2108 v1.0 - Instructions d'installation

Module d'extension 8 zones

Cette fiche d'installation doit être utilisée avec le manuel d'installation de l'équipement DSC qui alimente HSM2108 ou auquel ce dernier est connecté (ex. contrôleur d'alarme, module d'alimentation, etc.) Le module HSM2108 permet d'ajouter jusqu'à 8 zones d'entrée câblées au panneau de contrôle d'alarme (panneau d'alarme) compatible DSC, modèles HS2016, HS2032, HS2064 et HS2128.

Généralités

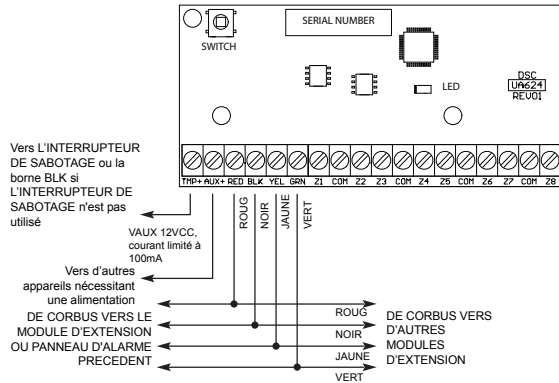
Cet appareil répond aux exigences des normes EN50131-1:2006+A1:2009 et EN50131-3:2009 relatives aux appareils de classe II, catégorie 2.

HSM2108 peut être installé dans la même armoire métallique que le contrôleur d'alarme/module alimentation (modèle Power UC1 UC1, PC5003C) ou dans une armoire distincte (PC4003C). Le câblage interne et/ou externe de HSM2108 doit être acheminé, protégé, attaché ou fixé solidement d'une manière à réduire tout risque (a) d'une tension excessive sur les fils et bornes de raccordement, (b) de desserrage des bornes de raccordement et (c) d'endommager l'isolation du conducteur.

Spécifications

- Plage de températures : -10°C à +55°C (0°C à +49°C pour les systèmes homologués UL/ULC)
- Humidité relative : 93% sans condensation
- Tension nominale et courant nominal d'entrée : 12VCC/130mA (assurés par le contrôleur d'alarme ou un module alimentation distinct)
- Appel de courant de la carte électronique : 40mA
- Dimensions de la carte électronique : 45mm x 92mm
- Tension nominale et courant nominal de sortie VAUX : 10.8 - 12.5VCC
- Fusible de la carte de circuit imprimé autoréarmable (PTC) plutôt que remplaçable
- La longueur de câble maximale de panneau d'alarme doit être de 1000' / 305m (22 AWG)

Descriptions des bornes



TMP - Utilisé pour protéger l'armoire dans laquelle HSM2108 est installé. Brancher un interrupteur normalement fermé (NC) entre TAM et BLK. Si l'interrupteur de sabotage n'est pas utilisé, raccorder TAM et BLK à l'aide d'un conducteur pour supprimer toute situation de dérangement.

L'interrupteur de sabotage se trouve au coin supérieur gauche de la carte de circuit imprimé du module d'extension. Ne rien brancher à la borne TAM si l'armoire dans laquelle HSM2108 est installé est équipée du matériel nécessaire qui permet de d'appuyer sur cet interrupteur de sabotage.

REMARQUE: Protection de anti-sabotage est nécessaire pour UL/ULC installations de cambrilage commercial / résidentiel.

AUX+ - Permet d'alimenter des appareils. L'appel de courant maximal ne doit pas dépasser 100 mA. Brancher le fil positif des appareils alimentés à VAUX et le négatif à BLK ou toute autre borne COM.

CORBUS - Les 4 fils Corbus permettent la communication entre le panneau et le module. Brancher les bornes RED, BLK, YEL et GRN aux bornes Corbus du panneau principal de HS2016, HS2032, HS2064 ou HS2128.

Z1 à Z8 - Câbler les zones selon la description figurant dans le manuel d'installation du panneau de commande.

REMARQUE: Les installations UL / ULC exigent fin de ligne simple ou fin de ligne double avec 5600Ω résistances.

Armoires

HSM2108 peut être installé dans les armoires métalliques indiquées ci-dessous. Des interrupteurs de sabotage peuvent être installés pour protéger les armoires, même contre l'ouverture et/ou l'enlèvement de la porte de la position de montage. Les portes peuvent être fixées solidement avec des vis ou des serrures.

- Le modèle PC5003C (porte amovible)
- Le modèle PC5003C (porte à paumelles)
- Le modèle Power UC1
- Le modèle PC4003C
- Le modèle CMC-1
- Le modèle PC4050CAR
- Le modèle PC4050CR (ULC - S559)

REMARQUE: Utiliser PC4003C, PC5003C, CMC-1, PC4050CAR, ou PC4050CR pour les installations UL/ULC.

Inscription automatique au panneau d'alarme

Lorsqu'un HSM2108 est inscrit au panneau d'alarme, il occupe le banc de 8 zones disponible suivant. Suivez les étapes suivantes pour inscrire HSM2108 :

- S'assurer que le système n'est pas sous tension.
- Brancher HSM2108 aux bornes Corbus.
- Mettre le système sous tension.
- Accéder à la section [902] [000] et attendre 1 minute.
- Accéder à la section [903] [102] pour vérifier que le module est supervisé.
- Définir les zones de la section [001].
- Configurer les attributs de la zone dans la section [002].
- Ajouter les zones à la partition appropriée des sections [201] - [208].

Inscription manuelle au panneau d'alarme

Lorsqu'un HSM2108 est inscrit au panneau d'alarme, il occupe le banc de 8 zones disponible suivant. Suivez les étapes suivantes pour inscrire HSM2108 :

- S'assurer que le système n'est pas sous tension.
- Brancher HS2108 aux bornes Corbus.
- Mettre le système sous tension.
- Accéder à la section [902] [001].
- Entrer le numéro de série du module.
- Accéder à la section [903] [102] pour vérifier que le module est supervisé.
- Définir les zones de la section [001].
- Configurer les attributs de la zone dans la section [002].
- Ajouter les zones à la partition appropriée des sections [201] - [208].

Voyant d'état

HSM2108 est équipé d'un voyant d'état qui permet d'indiquer l'état courant du module. Si HSM2108 fonctionne correctement, le voyant d'état clignote brièvement toutes les 10 secondes. En cas de dérangement, le voyant d'état émet une série de clignotements puis reste éteint pendant 1,7 secondes. Le nombre de clignotements entre les périodes où il est éteint indique l'état de dérangement comme décrit dans le tableau ci-dessous.

Nombre de clignotements	Etat de dérangement
1	Module non inscrit
2	Dérangement de supervision du panneau d'alarme
3	Faible tension Corbus

GARANTIE LIMITEE

Digital Security Controls pendant une période de douze mois à partir de la date d'achat, garantit le produit contre toute défectuosité matérielle et d'assemblage dans des conditions normales d'utilisation. Dans l'application de cette garantie, Digital Security Controls va, lorsqu'elle le juge opportun, en cas de problèmes de fonctionnement, réparer ou remplacer les équipements défectueux dès leur retour à son dépôt de réparation. Cette garantie s'applique seulement aux éléments défectueux et à la main-d'œuvre, et non aux dommages causés lors de l'expédition ou de la manipulation, ni aux dommages dont les causes dépassent le contrôle de Digital Security Controls telles que la foudre, les surtensions, les chocs mécaniques, les dégâts d'eau ou tout dommage provenant d'abus, de modifications ou de mauvaises utilisations de l'équipement. La garantie susdite n'est valide que pour l'acheteur original et n'est et ne sera que la seule des garanties valables, qu'elle ait été exprimée ou implicite, remplaçant toute autre obligation ou responsabilité de la part de Digital Security Controls. La présente garantie contient la garantie au complet. Digital Security Controls, n'autorise aucune autre personne à agir en son nom pour modifier ou changer la présente garantie et n'en assume pas la responsabilité, ni à assumer en son nom toute autre garantie ou responsabilité concernant le présent produit. En aucun cas, Digital Security Controls ne pourra être tenue responsable des conséquences directes ou indirectes de dommages relativement à la perte de profits prévus, à la perte de temps ou à toute autre perte subie par l'acheteur en rapport avec l'achat, l'installation et le fonctionnement ou la défaillance du présent produit.

AVERTISSEMENT: Digital Security Controls recommande que le système soit régulièrement soumis à un essai complet. Cependant, en dépit d'essais réguliers et à cause d'interventions criminelles, pannes de courant ou autres, il est possible que le fonctionnement du produit ne soit pas conforme aux spécifications.

IMPORTANT - A LIRE ATTENTIVEMENT : LE LOGICIEL DSC ACHETE AVEC OU SANS PRODUITS ET COMPOSANTS EST PROTÉGÉ PAR LE DROIT DAUTEUR ET IL EST ACHETE CONFORMEMENT AUX MODALITES DU CONTRAT DE LICENCE :

Ce Contrat de licence d'utilisation (« CLU ») est une entente légitime entre Vous (l'entreprise, l'individu ou l'entité qui a acheté le Logiciel et tout Matériel connexe) et Digital Security Controls, une filiale de Tyco Safety Products Canada Ltd. (« DSC »), le fabricant des produits de sécurité intégrés et le développeur du logiciel et de tout produit ou composant connexe (MATÉRIELS) que Vous avez acquis.

Si le produit logiciel DSC (« PRODUIT LOGICIEL » ou « LOGICIEL ») a été conçu pour être accompagné par du MATÉRIEL et s'il Nest PAS accompagné par un nouveau MATÉRIEL, Vous n'avez pas le droit d'utiliser, de copier ou d'installer le PRODUIT LOGICIEL. Le PRODUIT LOGICIEL comprend le logiciel, et peut aussi comprendre des médias connexes, des matériels imprimés et de la documentation « en ligne » ou électronique. Tout logiciel fourni avec le PRODUIT LOGICIEL qui est lié à un contrat de licence d'utilisation séparé Vous donne des droits conformément aux modalités de ce contrat de licence.

En installant, copiant, téléchargeant, sauvegardant, accédant ou utilisant d'une manière quelconque le PRODUIT LOGICIEL, Vous acceptez inconditionnellement d'être lié par les modalités de ce CLU, même si ce CLU est considéré une modification de tout accord ou contrat antérieur. Si Vous n'acceptez pas les modalités du CLU, DSC refuse de Vous octroyer une licence d'utilisation du PRODUIT LOGICIEL et Vous n'avez pas le droit de l'utiliser.

LICENCES DU PRODUIT LOGICIEL

Le PRODUIT LOGICIEL est protégé par des lois sur le droit d'auteur et des traités internationaux sur le droit d'auteur, ainsi que par d'autres lois et traités de la propriété intellectuelle. Le droit d'utilisation du PRODUIT LOGICIEL est octroyé, pas vendu.

- OCTROI DE LA LICENCE.** Ce CLU vous donne les droits suivants :
 - Installation et utilisation du logiciel - Pour chacune des licences acquises, Vous n'avez le droit d'installer qu'un seul exemplaire du PRODUIT LOGICIEL.
 - Utilisation de stockage en réseau - Le PRODUIT LOGICIEL ne peut pas être installé, accédé, affiché, exécuté, partagé ou utilisé simultanément sur des ordinateurs différents, notamment une station de travail, un terminal ou autre dispositif électronique numérique (« Dispositif »). Autrement dit, si Vous avez plusieurs postes de travail, Vous devez acheter une licence pour chaque poste de travail ou le LOGICIEL sera utilisé.
 - Copie de sauvegarde - Vous pouvez faire des copies de sauvegarde PRODUIT LOGICIEL, mais vous ne pouvez avoir qu'une seule copie installée par licence à tout moment. Vous pouvez utiliser une copie de sauvegarde. Hormis ce qui est expressément prévu dans ce CLU, Vous n'avez pas le droit de faire des copies du PRODUIT LOGICIEL, les matériels imprimés accompagnant le LOGICIEL compris.
 - Descriptions d'autres droits et limites
- Limites relatives à la rétro-ingénierie, à la décompilation et à désassemblage — Vous n'avez pas le droit de désosser, décompiler ou désassembler le PRODUIT LOGICIEL, sauf et seulement dans la mesure dans laquelle une telle activité est explicitement permise par la loi en vigueur, sans regards à ces limites. Vous n'avez pas le droit de faire des changements ou des modifications, quels qu'ils soient, sans la permission écrite d'un dirigeant de DSC. Vous n'avez pas le droit de retirer les notices, les marques ou les étiquettes privatives du Produit Logiciel. Vous devez insister des mesures raisonnables pour assurer la conformité aux modalités de ce CLU.
- Séparation des Composants — Le PRODUIT LOGICIEL est fourni sous licence en tant que produit unique. Ses parties composantes ne peuvent pas être séparées pour être utilisées sur plus d'un MATÉRIEL.
- PRODUIT INTÉGRÉ unique — Si vous avez acquis ce LOGICIEL avec du MATÉRIEL, le PRODUIT LOGICIEL est autorisé à être utilisé avec le MA TÉRIEL en tant que produit intégré unique. Dans ce cas, le PRODUIT LOGICIEL ne peut être utilisé qu'avec le MATÉRIEL conformément à ce CLU.
- Location — Vous n'avez pas le droit de louer, de mettre en bail ou de prêter le PRODUIT LOGICIEL. Vous n'avez pas le droit de le mettre à la disposition d'autres personnes ou de l'afficher sur un serveur ou un site Web.
- Transfert du Produit Logiciel — Vous pouvez transférer tous vos droits de ce CLU uniquement dans le cadre de la vente ou du transfert permanent du MATÉRIEL à condition que Vous ne conservez aucune copie, que Vous transférez tout le PRODUIT LOGICIEL (tous les logiciels, les matériels imprimés et autres, toutes les mises à niveau et ce CLU), et à condition que le récipiendaire accepte les conditions de ce CLU. Si le PRODUIT LOGICIEL est une mise à niveau, tout transfert doit également inclure toutes les versions antérieures du PRODUIT LOGICIEL.
- Résiliation — Sous réserve de tous ses autres droits, DSC se réserve le droit de résilier ce CLU si Vous ne respectez pas les modalités de ce CLU. Dans ce cas, Vous devez détruire toutes les copies du PRODUIT LOGICIEL et toutes ses parties composantes.
- Marques de commerce — Ce CLU ne Vous donne aucun droit relatifement aux marques de commerce ou aux marques de service de DSC ou de ses fournisseurs.

3. DROIT D'AUTEUR

Tous les titres et droits de propriété intellectuelle associés au PRODUIT LOGICIEL (notamment mais pas seulement aux images, photographies et textes incorporés dans le PRODUIT LOGICIEL), les documents imprimés joints et tout exemplaire du PRODUIT LOGICIEL sont la propriété de DSC et de ses fournisseurs. Vous n'avez pas le droit de faire des copies des documents imprimés accompagnant le PRODUIT LOGICIEL. Tous les titres et droits de propriété intellectuelle associés au contenu qui peut être accédé par le biais du PRODUIT LOGICIEL, sont la propriété du propriétaire respectif du contenu et ils peuvent être protégés par le droit d'auteur ou autres lois et traités sur la propriété intellectuelle. Ce CLU ne Vous octroie pas le droit d'utiliser ces éléments. Tous les droits qui ne sont pas expressément octroyés par cette CLU, sont réservés par DSC et ses fournisseurs.

4. RESTRICTIONS POUR L'EXPORTATION

Vous acceptez le fait que Vous n'exporterez pas ou ne réexporterez pas le PRODUIT LOGICIEL dans tout pays, personne ou entité soumis à des restrictions canadiennes à l'exportation.

5. CHOIX DES LOIS

Ce contrat de licence d'utilisation est régi par les lois de la Province de l'Ontario, Canada.

6. ARBITRATION

Tous les conflits survenant relativement à ce contrat seront résolus par un arbitrage définitif et sans appel conformément à la Loi sur l'arbitrage, et les parties acceptent d'être liées par la décision de l'arbitre. Le lieu de l'arbitration sera Toronto, Canada, et le langage de l'arbitration sera l'anglais.

7. Garantie Restreinte

(a) PAS DE GARANTIE

DSC FOURNIT LE LOGICIEL - EN L'ÉTAT - SANS GARANTIE. DSC NE GARANTIT PAS QUE LE LOGICIEL SATISFERA VOS EXIGENCES OU QUE L'EXPLOITATION DU LOGICIEL SERA ININTERROMPUE OU SANS ERREUR.

(b) CHANGEMENTS DU CADRE D'EXPLOITATION

DSC ne sera pas responsable des problèmes provoqués par des changements dans les caractéristiques du MATÉRIEL, ou des problèmes d'interaction du PRODUIT LOGICIEL avec des LOGICIELS NON-DSC ou AUTRES MATÉRIELS.

(c) LIMITES DE RESPONSABILITÉ - LA GARANTIE REFLÈTE L'AFFECTATION DU RISQUE

DANS TOUTS LES CAS, SI UN STATUT QUELCONQUE SUPPOSE DES GARANTIES OU CONDITIONS QUI NE SONT PAS POSTULÉES DANS CE CONTRAT DE LICENCE, TOUTE LA RESPONSABILITÉ ASSUMÉE PAR DSC DANS LE CADRE D'UNE DISPOSITION QUELCONQUE DE CE CONTRAT SERA LIMITEE AU MONTANT LE PLUS ÉLEVÉ QUE VOUS AVEZ PAYÉ POUR LE CONTRAT DE CE PRODUIT LOGICIEL ET CINQ DOLLARS CANADIENS (5 CAN \$). PARCE QUE CERTAINES JURIDICTIONS NE PERMETTENT PAS L'EXCLUSION OU LES RESTRICTIONS DE RESPONSABILITÉ POUR DOMMAGES INDIRECTS, CES RESTRICTIONS PEUVENT NE PAS S'APPLIQUER DANS VOTRE CAS.

(d) STIPULATION D'EXONÉRATION DE GARANTIES

CETTE GARANTIE CONTIENT L'ENTIERE GARANTIE ET REMPLACE TOUTES LES AUTRES GARANTIES, QUELLES SOIENT EXPLICITES OU IMPLICITES (NOTAMMENT TOUTES LES GARANTIES IMPLIQUES DE MARCHANDISE OU APPTITUDE POUR UN USAGE PARTICULIER) ET DE TOUTE AUTRE OBLIGATION OU RESPONSABILITE DE DSC. DSC NE FAIT AUCUNE AUTRE GARANTIE. DSC N'ASSUME PAS LA RESPONSABILITE ET N'AUTORISE AUCUNE AUTRE PERSONNE PRÉTENDANT AGIR EN SON NOM DE MODIFIER OU DE CHANGER CETTE GARANTIE. N'ASSUME POUR CELA AUCUNE AUTRE GARANTIE OU RESPONSABILITE CONCERNANT CE PRODUIT LOGICIEL.

(e) RECOURS EXCLUSIF ET LIMITE DE GARANTIE

DSC NE SERA EN AUCUN CAS RESPONSABLE DES DOMMAGES PARTICULIERS, ACCIDENTELS OU INDIRECTS BASÉS SUR UNE OBSERVATION DE LA GARANTIE, UNE RUPTURE DE CONTRAT, UNE NÉGLIGENCE, UNE RESPONSABILITÉ STRICTE OU TOUTE AUTRE THÉORIE JURIDIQUE, DE TELS DOMMAGES INCLUNT NOTAMMENT, MAIS PAS EXCLUSIVEMENT, UNE PERTE DE PROFITS, UN ENDOMMAGEMENT DU PRODUIT LOGICIEL OU TOUT AUTRE ÉQUIPEMENT ASSOCIE, LE CÔTÉ DU CAPITAL, LE CÔTÉ DE REMPLACEMENT OU DE SUBSTITUTION, DES INSTALLATIONS OU SERVICES, UN TEMPS D'ARRÊT, LE TEMPS DE L'ACHETEUR, LES REVENDICATONS DE TIERS, Y COMPRIS LES CLIENTS ET LES DOMMAGES À LA PROPRIÉTÉ.

MISE EN GARDE - DSC recommande de tester complètement l'ensemble du système régulièrement. Toutefois, malgré des essais réguliers, il peut arriver que le fonctionnement du PRODUIT LOGICIEL ne soit pas conforme aux attentes en raison notamment, mais pas exclusivement, d'interventions criminelles ou de pannes de courant.



DSC
A Tyco International Company

©2014 Digital Security Controls Toronto, Canada • www.dsc.com
Assistance technique : Support : 1-800-387-3630
(Canada & U.S.), 905-760-3036

PowerSeries
neo



Instrucciones de instalación HSM2108 v1.0

Módulo de expansión de 8 zonas

Esta hoja de instalación debe utilizarse junto con el Manual de instalación del equipo DSC al que el HSM2108 esté conectado o desde el que esté alimentado (por ejemplo, controlador de alarma, fuente de alimentación, etc.). El módulo HSM2108 puede utilizarse para ampliar hasta 8 zonas de entrada conectadas por cable en el Panel de control de alarma del DSC compatible (Panel de alarma), modelos HS2016, HS2032, HS2064 y HS2128.

General

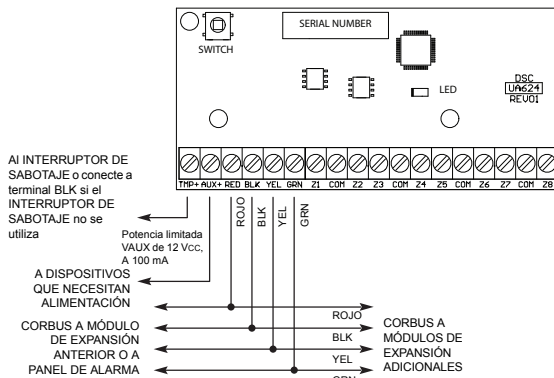
Este producto cumple con los requerimientos de equipos Clase II, Grado 2, de acuerdo con las normas EN50131-1:2006+A1:2009 y EN50131-3:2009.

HSM2108 puede instalarse en el mismo gabinete metálico que el controlador de alarma/fuente de alimentación (modelo Power UC1, PC5003C) o en un gabinete separado (PC4003C). El cableado interno y/o externo para el HSM2108 debe direccionarse, soportarse, ajustarse o asegurarse de forma tal que se reduzca la posibilidad de (a) tensión excesiva en el cable y en las conexiones de terminales, (b) aflojamiento de conexiones de terminales y (c) daño del aislamiento de los conductores.

Especificaciones

- Rango de temperatura: -10 °C a +55 °C (0 °C a +49 °C para sistemas listados por UL/ULC)
- Humedad relativa: 93 % sin condensación
- Calificación de entrada: 12VCC/130 mA (proporcionado por el controlador de alarma o por fuente de alimentación separada)
- Consumo de corriente de la placa: 40 mA
- Dimensiones de la placa: 45 mm x 92 mm
- Calificaciones de salida VAUX: 10.8 - 125 Vcc
- Fusible reajutable (PTC) utilizado en la placa de circuito en vez de fusibles sustituibles
- La longitud máxima de cable desde el panel de alarma debe ser 1,000' / 305m (22 AWG)

Descripciones de terminales



TMP - Utilizado para proteger el gabinete en el que el HSM2108 está montado. Conecte un interruptor normalmente cerrado (NC) a través de TAM y de BLK. Si no se utiliza el interruptor de sabotaje, conecte un cable a través de TAM y de BLK para eliminar la condición problemática.

Hay un interruptor de sabotaje integrado en el módulo de expansión ubicado en la esquina superior izquierda de la placa de circuito. Si el gabinete en el que el HSM2108 está montado tiene el hardware necesario para presionar este interruptor de sabotaje, no conecte nada a la terminal TAM.

NOTA: Protección de anti-sabotaje se requiere para UL / ULC instalaciones de robo comercial / residencial

AUX+ - Utilizado para proporcionar alimentación a dispositivos. El consumo de corriente máximo no debe exceder 100 mA. Conecte el cable positivo de los dispositivos alimentados a VAUX; y el negativo, a la terminal BLK o cualquier terminal COM.

CORBUS - El panel utiliza la conexión de 4 cables Corbus para comunicarse con el módulo. Conecte las terminales RED, BLK, YEL y GRN a las terminales Corbus en el control principal de HS2016, HS2032, HS2064 o HS2128.

Z1 a Z8 - Cablee las zonas de acuerdo con la descripción que se encuentra en el Manual de Instalación del panel de control.

NOTA: Las instalaciones UL / ULC requieren fin de línea simple o fin de línea doble con 5600Ω resistencias.

Gabinetes

El HSM2108 puede instalarse en los gabinetes metálicos que se enumeran a continuación. Los interruptores de protección de sabotaje pueden instalarse en todos los gabinetes, lo que incluye protección de apertura de puertas y/o extracción desde la posición de montaje. Las puertas pueden asegurarse utilizando tornillos o cerraduras.

- Modelo PC5003C (puerta desmontable)
- Modelo PC5003C (puerta con bisagra)
- Modelo Power UC1
- Modelo PC4003C
- Modelo CMC-1
- Modelo PC4050CAR
- Modelo PC4050CR (ULC - S559)

NOTA: Utilizar PC4003C, PC5003C, CMC-1, PC4050CAR o PC4050CR para las instalaciones UL / ULC.

Registro automático en el panel de alarma

Cuando un HSM2108 esté registrado en el panel de alarma, tomará el siguiente banco disponible de 8 zonas. Para registrar el HSM2108, siga estos pasos:

1. Asegúrese de que el sistema no esté encendido.
2. Conecte el HSM2108 al Corbus.
3. Encienda el sistema.
4. Ingrese la sección [902] [000] y espere 1 minuto.
5. Ingrese la sección [903] [102] para verificar que el módulo esté supervisado.
6. Defina las zonas en la sección [001].
7. Configure los atributos de zona en la sección [002].
8. Agregue las zonas a la partición apropiada en las secciones [201]-[208].

Registro manual en el panel de alarma

Cuando un HSM2108 esté registrado en el panel de alarma, tomará el siguiente banco disponible de 8 zonas. Para registrar el HSM2108, siga estos pasos:

1. Asegúrese de que el sistema no esté encendido.
2. Conecte el HSM2108 al Corbus.
3. Encienda el sistema.
4. Ingrese la sección [902] [001].
5. Ingrese el número de serie del módulo.
6. Ingrese la sección [903] [102] para verificar que el módulo esté supervisado.
7. Defina las zonas en la sección [001].
8. Configure los atributos de zona en la sección [002].
9. Agregue las zonas a la partición apropiada en las secciones [201]-[208].

LED de estado

El HSM2108 está equipado con un LED de estado para indicar el estado actual del módulo. Si el HSM2108 está operando correctamente, el LED de estado parpadeará brevemente cada 10 segundos. Cuando haya una condición problemática, el LED de estado mostrará una serie de parpadeos; luego, permanecerá en blanco durante 1,7 segundos. La cantidad de parpadeos entre los periodos en blanco indica la condición problemática presente tal como se describe en el cuadro a continuación.

Cantidad de parpadeos	Condición problemática
1	Módulo no registrado
2	Problema de supervisión del panel de alarma
3	Tensión baja de Corbus

GARANTÍA LIMITADA

Digital Security Controls (DSC) garantiza que, durante un periodo de 12 meses a partir de la fecha de compra, este producto no presentará defectos en materiales y fabricación al someterlo al uso normal y que, en compensación por cualquier incumplimiento de dicha garantía, Digital Security Controls reparará o sustituirá el equipo defectuoso, según su criterio, una vez devuelto dicho equipo defectuoso a su almacén de reparación. Esta garantía aplica sólo a defectos en las piezas y fabricación, y no a los daños sufridos durante el transporte o manipulación, ni los daños debidos a causas que se encuentren fuera del control de Digital Security Controls, como por ejemplo relámpagos, sobrecarga de tensión, descarga mecánica, daños por agua o los daños que sean consecuencia del uso abusivo, alteración o aplicación indebida del equipo. La anterior garantía sólo aplicará al comprador original, y sustituirá a cualquier otra garantía, ya sea expresa o implícita, y a cualquier otra obligación y responsabilidad.

habilidad de DSC. Digital Security Controls no acepta ninguna responsabilidad ni autoriza a ninguna otra persona a actuar en su nombre para modificar o cambiar esta garantía, ni para aceptar en su nombre ninguna otra garantía o responsabilidad relativa a este producto. En ningún caso será DSC responsable de ningún daño directo, indirecto o derivado, lucro cesante, pérdida de tiempo o de ninguna otra pérdida sufrida por el comprador en conexión con la compra, instalación o funcionamiento o fallos del presente producto.

Atención: Digital Security Controls recomienda probar el sistema completo con frecuencia. No obstante, a pesar de estas pruebas frecuentes y debido, entre otras cosas, a posibles sabotajes o interrupciones del suministro eléctrico, es posible que este producto no funcione como está previsto.

Información importante: Los cambios o modificaciones no expresamente aprobados por DSC pueden anular la autorización del usuario para utilizar este equipo. **IMPORTANTE - LEA ATENTAMENTE:** El Software DSC comprado con o sin Productos y Componentes tiene marca registrada y es adquirido bajo los siguientes términos de licencia:

- "Este Acuerdo de Licencia de Usuario Final (End User License Agreement - "EULA") es un acuerdo legal entre Usted (la compañía, individuo o entidad que ha adquirido el Software y cualquier Hardware relacionado) y Digital Security Controls, una división de Tyco Safety Products Canada Ltd. ("DSC"), el fabricante de los sistemas de seguridad integrados y programados del software y de todos los productos o componentes relacionados ("HARDWARE") que usted ha adquirido.
- "Si el producto de software DSC ("PRODUCTO DE SOFTWARE") o "SOFTWARE" necesita estar acompañado de HARDWARE y NO está acompañado de nuevo HARDWARE, usted no puede usar, copiar o instalar el PRODUCTO DE SOFTWARE. El PRODUCTO DE SOFTWARE incluye software y puede incluir medios asociados, materiales impresos y documentación "en línea" o electrónica.
- "Cualquier software provisto con el PRODUCTO DE SOFTWARE que esté asociado a un acuerdo de licencia de usuario final separado es licenciado a Usted bajo los términos de ese acuerdo de licencia.
- "Al instalar, copiar, realizar la descarga, almacenar, acceder o, de otro modo, usar el PRODUCTO DE SOFTWARE, Usted se somete incondicionalmente a los límites de los términos de este EULA, incluso si este EULA es una modificación de cualquier acuerdo o contrato previo. Si no está de acuerdo con los términos de este EULA, DSC no podrá licenciarle el PRODUCTO DE SOFTWARE y Usted no tendrá el derecho de usarlo.

LICENCIA DE PRODUCTO DE SOFTWARE

El PRODUCTO DE SOFTWARE está protegido por leyes de derecho de autor y acuerdos de derecho de autor, así como otros tratados y leyes de propiedad intelectual. El PRODUCTO DE SOFTWARE es licenciado, no vendido.

1. **CONCESIÓN DE LICENCIA.** Este EULA le concede los siguientes derechos:
 - (a) Instalación y uso del software - Para cada licencia que Usted adquiere, Usted puede instalar tan sólo una copia del PRODUCTO DE SOFTWARE.
 - (b) Almacenamiento/uso en red - El PRODUCTO DE SOFTWARE no puede ser instalado, accedido, mostrado, ejecutado, compartido o usado al mismo tiempo desde diferentes ordenadores, incluyendo una estación de trabajo, terminal u otro dispositivo electrónico ("Dispositivo"). En otras palabras, si Usted tiene varias estaciones de trabajo, Usted tendrá que adquirir una licencia para cada estación de trabajo donde usará el SOFTWARE.
 - (c) Copia de seguridad - Usted puede tener copias de seguridad del PRODUCTO DE SOFTWARE, pero sólo puede tener una copia por licencia instalada en un momento determinado. Usted puede usar la copia de seguridad solamente para propósitos de archivo. Excepto del modo en que está expresamente previsto en este EULA, Usted no puede hacer copias del PRODUCTO DE SOFTWARE de otro modo, incluyendo los materiales impresos que acompañan al SOFTWARE.

2. DESCRIPCIÓN DE OTROS DERECHOS Y LIMITACIONES.

(a) Limitaciones en Ingeniería Reversa, Descompilación y Desmontado - Usted no puede realizar ingeniería reversible, descompilar o desmontar el PRODUCTO DE SOFTWARE, excepto y solamente en la medida en que dicha actividad esté expresamente permitida por la ley aplicable, no obstante esta limitación. Usted no puede realizar cambios ni modificaciones al Software, sin el permiso escrito de un oficial de DSC. Usted no puede eliminar avisos de propiedad, marcas o etiquetas del Producto de Software. Usted debería instituir medidas razonables que aseguren el cumplimiento de los términos y condiciones de este EULA.

(b) Separación de los Componentes - El PRODUCTO DE SOFTWARE se licencia como un producto único. Sus partes componentes no pueden ser separadas para el uso en más de una unidad de HARDWARE.

(c) Producto ÚNICO INTEGRADO - Si usted adquirió este SOFTWARE con HARDWARE, entonces el PRODUCTO DE SOFTWARE está licenciado con el HARDWARE como un producto único integrado. En este caso, el PRODUCTO DE SOFTWARE puede ser usado solamente con el HARDWARE, tal y como se establece más adelante en este EULA.

(d) Alquiler - Usted no puede alquilar, prestar o arrendar el PRODUCTO DE SOFTWARE. No puede disponibilizarlo a terceros ni colgarlo en un servidor o una página web.

(e) Transferencia de Producto de Software - Usted puede transferir todos sus derechos bajo este EULA sólo como parte de una venta permanente o transferencia del HARDWARE, desde que Usted no retenga copias y transfiera todo el PRODUCTO DE SOFTWARE (incluyendo todas las partes componentes, los materiales impresos y medidores y cualquier transferencia de este EULA) y desde que el receptor esté conforme con los términos de este EULA. Si el PRODUCTO DE SOFTWARE es una actualización, cualquier transferencia debe incluir también todas las versiones previas del PRODUCTO DE SOFTWARE.

(f) Término - Sin perjuicio de cualesquiera otros derechos, DSC puede terminar este EULA si Usted negligencia el cumplimiento de los términos y condiciones de este EULA. En tal caso, usted debe destruir todas las copias del PRODUCTO DE SOFTWARE y todas sus partes componentes.

(g) Marcas registradas - Este EULA no le concede ningún derecho conectado con ninguna de las marcas registradas de DSC o de sus proveedores.

3. DERECHOS DE AUTOR.

Todos los derechos de título y propiedad intelectual en este y relativos a este PRODUCTO DE SOFTWARE (incluyendo, pero no limitándose a todas las imágenes, fotografías y textos incorporados al PRODUCTO DE SOFTWARE), los materiales impresos que acompañan, y todas las copias del PRODUCTO DE SOFTWARE, son propiedad de DSC o de sus proveedores. Usted no puede copiar los materiales impresos que acompañan al PRODUCTO DE SOFTWARE. Todos los títulos y derechos de propiedad intelectual en y relativos al contenido que pueden ser accedidos a través del uso del PRODUCTO DE SOFTWARE son de propiedad de su respectivo propietario de contenido y pueden estar protegidos por derechos de autor u otros tratados y leyes de propiedad intelectual. Este EULA no le concede ningún derecho de usar tal contenido. Todos los derechos no expresamente concedidos por este EULA están reservados a DSC y sus proveedores.

4. RESTRICCIONES DE EXPORTACIÓN

(a) Usted se compromete a no exportar o reexportar el PRODUCTO DE SOFTWARE a ningún país, persona o entidad sujeta a las restricciones de exportación de Canadá.

5. ELECCIÓN DE LEY: Este Acuerdo de Licencia de Software se rige por las leyes de la Provincia de Ontario, Canadá.

6. ARBITRAJE

Todas las disputas que surjan con relación a este Acuerdo estarán determinadas por medio del arbitraje final y vinculante, de acuerdo con el Arbitration Act, y las partes acuerdan someterse a la decisión del árbitro. El lugar de arbitraje será Toronto, Canadá, y la lengua de arbitraje será el inglés.

7. GARANTÍA LIMITADA

(a) SIN GARANTÍA
DSC PROVEE EL SOFTWARE "TAL COMO ES", SIN GARANTÍA. DSC NO GARANTIZA QUE EL SOFTWARE SATISFARÁ SUS NECESIDADES O QUE TAL OPERACIÓN DEL SOFTWARE SERÁ INTERRUMPTA O LIBRE DE ERRORES.

(b) CAMBIOS EN EL ENTORNO OPERATIVO
DSC no se responsabilizará de problemas causados por cambios en las características operativas del HARDWARE, o de problemas en la interacción del PRODUCTO DE SOFTWARE con SOFTWARE que no sea de DSC o con PRODUCTOS DE HARDWARE.

(c) LIMITACIÓN DE RESPONSABILIDAD, CUOTA DE RIESGO DE LA GARANTÍA
EN CUALQUIER CASO, SI ALGUNA LEY IMPLICA GARANTÍAS O CONDICIONES NO ESTABLECIDAS EN ESTE ACUERDO DE LICENCIA, TODA LA RESPONSABILIDAD DE DSC BAJO CUALQUIER DISPOSICIÓN DE ESTE ACUERDO DE LICENCIA SE LIMITARÁ A LA MAYOR CANTIDAD YA PAGADA POR USTED PARA LICENCIAR EL PRODUCTO DE SOFTWARE Y CINCO DÓLARES CANADIENSES (CAD\$5.00), DEBIDO A QUE ALGUNAS JURISDICCIONES NO ACEPTAN LA EXCLUSIÓN O LIMITACIÓN DE LA RESPONSABILIDAD PARA DAÑOS CONSECUENTES O INCIDENTALES, LAS LIMITACIONES CITADAS PUEDEN NO APLICARSE A USTED.

(d) EXENCIÓN DE LAS GARANTÍAS
ESTA GARANTÍA CONTIENE LA GARANTÍA COMPLETA Y ES VÁLIDA, EN LUGAR DE CUALQUIER OTRA GARANTÍA, YA EXPRESA O IMPLÍCITA (INCLUYENDO TODAS LAS GARANTÍAS IMPLÍCITAS DE MERCANTILIDAD O APTITUD PARA UN PROPÓSITO DETERMINADO) Y DE TODAS LAS OBLIGACIONES O RESPONSABILIDADES POR PARTE DE DSC. DSC NO CONCEDE OTRAS GARANTÍAS. DSC TAMPOCO ASUME NI AUTORIZA A NINGUNA OTRA PERSONA QUE PRETENDA ACTUAR EN SU NOMBRE PARA MODIFICAR O CAMBIAR ESTA GARANTÍA NI PARA ASUMIR PARA ELLA NINGUNA OTRA GARANTÍA O RESPONSABILIDAD RELATIVA A ESTE PRODUCTO DE SOFTWARE.

(e) REPARACIÓN EXCLUSIVA Y LIMITACIÓN DE GARANTÍA
BAJO NINGUNA CIRCUNSTANCIA DSC SERÁ RESPONSABLE DE CUALQUIER DAÑO ESPECIAL, IMPREVISTO O CONSECUENTE O DAÑOS INDIRECTOS BASADOS EN INFRACCIÓN DE LA GARANTÍA, INFRACCIÓN DEL CONTRATO, NEGLIGENCIA, RESPONSABILIDAD ESTRICTA O CUALQUIER OTRA TEORÍA LEGAL. TALES DAÑOS INCLUYEN, PERO NO SE LIMITAN, A PÉRDIDAS DE BENEFICIOS, PÉRDIDA DEL PRODUCTO DE SOFTWARE O CUALQUIER EQUIPO ASOCIADO, COSTE DE CAPITAL, COSTE DE SUSTITUCIÓN O REEMPLAZO DE EQUIPO, INSTALACIONES O SERVICIOS, DOWN TIME, TIEMPO DEL COMPRADOR, REIVINDICACIONES DE TERCEROS, INCLUYENDO CLIENTES, Y DAÑOS A LA PROPIEDAD.

ADVERTENCIA: DSC recomienda que pruebe todo el sistema completamente de modo regular. Sin embargo, a pesar de las pruebas frecuentes, y debido a ellas, pero no limitado a las mismas, intento criminal de forzarlo o interrupción eléctrica, es posible que este PRODUCTO DE SOFTWARE falle con relación al desempeño esperado.



DSC
A Tyco International Company

©2014 Digital Security Controls Toronto, Canadá • www.dsc.com
Asistencia técnica: 1-800-387-3630
(Canadá y Estados Unidos), 905-760-3036

PowerSeries
neo



Instruções de Instalação do HSM2108 v1.0

Módulo Expansor 8-Zonas

Esta folha de instalação deve ser usada em conjunto com o Manual de Instalação do equipamento DSC no qual o HSM2108 está ligado ou a partir do qual é alimentado (por ex. controlador de alarme, fonte de alimentação, etc.). O módulo HSM2108 pode ser usado para alargar para até 8 zonas de entrada com ligações fixas no DSC compatível, Painel de Controle de Alarme (Painel de Alarme), modelos HS2016, HS2032, HS2064 e HS2128.

Generalidades

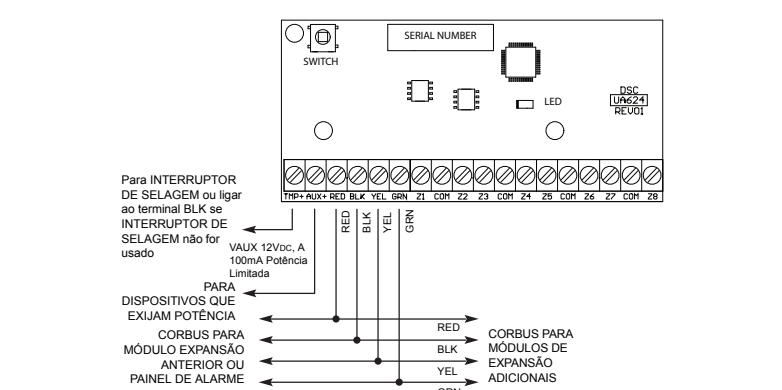
Este produto está em conformidade com os requisitos do equipamento da Classe II Qualidade 2 conforme Normas EN50131-1:2006+A1:2009 e EN50131-3:2009.

HSM2108 pode ser instalado em o mesmo armário metálico que o controlador de alarme/fonte de alimentação (modelo Power UC1, PC5003C) ou em armário separado (PC4003C). As ligações internas e/ ou externas para HSM2108 devem ser encaminhadas, suportadas, fixadas de maneira que reduzam a probabilidade de (a) tensão excessiva nos fios e ligações terminais, (b) soltar as ligações dos terminais e (c) danos no isolamento do condutor.

Especificações

- Limite de temperatura: -10°C a + 55°C (0°C a +49°C para sistemas enumerados UL/ULC)
- Umidade relativa: 93% não condensação
- Entrada nominal: 12Vdc/130mA (fornecido pelo controlador do alarme ou por fonte alimentação separada)
- Potência de corrente da placa: 40mA
- Dimensões da placa: 45mm x 92mm
- Potências nominais VAUX: 10.8 - 12Vdc
- Fusível térmico (PTC) usado na placa do circuito em vez de fusíveis de substituição
- O comprimento máximo do cabo do painel de alarme deve ser 1000´/305m (22 AWG)

Descrições do Terminal



TMP - Usado para selar o armário no qual o HSM2108 está montado. Ligue a um interruptor normalmente fechado (NC) através de TAM e BLK. Se o selo não for usado ligar um pedaço de fio entre TAM e BLK para eliminar a condição de problema.

Existe um interruptor de selagem integrado no módulo do expansor situado no canto superior esquerdo da placa de circuito. Se o armário no qual o HSM2108 está montado possuir o equipamento necessário para pressionar este interruptor de selagem, não ligar nada ao terminal TAM.

AUX+ - Usado para fornecer alimentação para os dispositivos. Potência máxima de corrente não deve exceder 100 mA. Ligue o terminal positivo dos dispositivos alimentados ao VAUX e o negativo ao BLK ou a qualquer terminal COM.

CORBUS - A ligação de 4-vias Corbus é usada pelo painel para comunicar com o módulo. Ligue os terminais RED, BLK, YEL e GRN aos terminais Corbus no HS2016, HS2032, HS2064, ou no controle principal HS2128.

Z1 a Z8 - Ligue as zonas de acordo com a descrição encontrada no Manual de Instalação da Central.

Caixas de proteção exterior

O HSM2108 pode ser instalado em caixas metálicas de proteção exterior abaixo indicadas. Os interruptores de proteção de selagem podem ser instalados em todas as caixas de proteção exterior, incluindo a proteção de abertura da porta e/ou retirada da posição de montagem. As portas podem ser fixadas usando parafusos ou Keylock.

- Modelo PC5003C (porta amovível) 0g
- Modelo PC5003C (porta com dobradiças)
- Modelo Power UC1
- Modelo PC4003C
- Modelo CMC-1
- Modelo PC4050CAR
- Modelo PC4050CR (ULC - S559)

Registro automático no Painel de Alarme

Quando o HSM2108 é registrado num painel de alarme, ocupará o próximo conjunto disponível de 8 zonas. Para registrar o HSM2108 seguir estes passos:

- Certifique que o sistema não está ativado.
- Ligue o HSM2108 ao Corbus.
- Ative o sistema.
- Insira secção [902] [000] e aguarde 1 minuto.
- Insira secção [903] [102] para verificar que o módulo está supervisionado.
- Defina as zonas na secção [001].
- Configure os atributos de zona na secção [002].
- Adicione as zonas à partição apropriada nas seções [201]-[208].

Registro manual no Painel de Alarme

Quando o HSM2108 é registrado num painel de alarme, ocupará o próximo conjunto disponível de 8 zonas. Para registrar o HSM2108 seguir estes passos:

- Certifique que o sistema não está ativado.
- Ligue o HSM2108 ao Corbus.
- Ative o sistema.
- Insira secção [902] [001].
- Insira o número de série do módulo.
- Insira secção [903] [102] para verificar que o módulo está supervisionado.
- Defina as zonas na secção [001].
- Configure os atributos de zona na secção [002].
- Adicione as zonas à partição apropriada nas seções [201]-[208].

LED estado

O HSM2108 está equipado com um LED de estado para indicar o estado atual do módulo. Se o HSM2108 estiver funcionando corretamente, o LED de estado ficará piscando ligeiramente cada 10 segundos. Quando uma condição de problema está presente, o LED de estado apresentará uma série de flashes e depois se mantém branco durante 1,7 segundos. O número de flashes entre os períodos em branco indica a condição atual de problema como mencionado no quadro em baixo.

Número de Flashes	Condição de Problema
1	Módulo não registrado
2	Problema na supervisão do Painel de Alarme
3	Tensão baixa em Corbus

GARANTIA LIMITADA

A Digital Security Controls garante que, durante um período de 12 meses a partir da data de compra, o produto está isento de defeitos de material e de fabrico sob utilização normal e que, no cumprimento de eventuais falhas abrangidas por garantia, a Digital Security Controls reparará ou substituirá, conforme a mesma entender, o equipamento defeituoso após a devolução deste ao seu entreposto de reparações. Esta garantia abrange apenas defeitos em peças e de fabrico e não abrange danos ocorridos durante o envio ou manuseio, ou danos causados por factos para além do controlo da Digital Security Controls, como raios, voltagem excessiva, choque mecânico, danos causados por água ou danos resultantes de abuso, alteração ou aplicação incorrecta do equipamento. A garantia precedente aplica-se apenas ao comprador original, sobrepondo-se a todas e quaisquer outras garantias explícitas ou impressas, e a todas e quaisquer outras obrigações e responsabilidades por parte da Digital Security Controls. A Digital Security Controls não assume qualquer responsabilidade por, nem autoriza nenhuma pessoa que afirme representá-la a modificar ou alterar esta garantia, nem a assumir qualquer outra garantia ou responsabilidade relativa a este produto. Em circunstância alguma será a Digital Security Controls responsável por quaisquer danos directos, indirectos ou consequenciais, perda de lucros previstos, perda de tempo ou quaisquer outras perdas incorridas pelo comprador relacionadas com a compra, instalação, operação ou falha deste produto.

Aviso: A Digital Security Controls recomenda que todo o sistema seja testado de forma integral periodicamente. No entanto, apesar de testes frequentes, é possível que este produto não funcione como esperado devido a, mas não limitado a, adulteração criminosa ou a interrupção de electricidade.

Informações importantes: Alterações ou modificações não expressamente aprovadas pela Digital Security Controls podem destituir o utilizador de autoridade para utilizar este equipamento.

IMPORTANTE - LEIA COM ATENÇÃO: O SOFTWARE DSC, ADQUIRIDO COM OU SEM PRODUTOS E COMPONENTES, RESPEITA LEIS DE DIREITOS DE AUTOR E É COMPRADO COM A ACEITAÇÃO DOS SEGUINTES TERMOS DE LICENCIAMENTO:

O Contrato de Licença de Utilizador Final (CLUF) (End User License Agreement ("EULA")) é um acordo legal entre V. Exa. (empresa, indivíduo ou entidade que adqure o Software ou qualquer Hardware relacionado) e a Digital Security Controls, uma divisão da Tyco Safety Products Canada Ltd. ("DSC"), o fabricante dos sistemas de segurança integrados e o programador do software e quaisquer produtos ou componentes relacionados ("HARDWARE") que V. Exa. adquiriu.

Se for suposto o software do produto DSC ("PROGRAMA" ou "SOFTWARE") vir acompanhado de HARDWARE, e se verificar que NÃO vem acompanhado de novo HARDWARE, V. Exa. não poderá utilizar, copiar ou instalar o PROGRAMA. O PROGRAMA inclui o software, e poderá incluir meios associados, materiais impressos e documentação electrónica ou disponível "online" em relação ao produto. O PROGRAMA não inclui o hardware. O PROGRAMA não inclui o hardware. Qualquer software fornecido com o PROGRAMA que esteja associado a um contrato de licença de utilizador final em separado está licenciado a V. Exa. nos termos desse mesmo contrato de licença.

Ao instalar, copiar, descarregar, armazenar, aceder, ou outro, utilizando o PROGRAMA, V.Exa. concorda incondicionalmente em respeitar os termos deste CLUF (EULA), mesmo que o CLUF (EULA) seja considerado como uma modificação de quaisquer acordos ou contratos prévios. Se V.Exa. não concordar com os termos deste CLUF (EULA) a DSC não irá licenciar o PROGRAMA a V.Exa., e V. Exa. não terá direito a sua utilização.

LICENÇA DO PROGRAMA
O PROGRAMA está protegido por leis de direitos de autor e tratados internacionais de direitos de autor, bem como por outros tratados e leis de propriedade intelectual. O PROGRAMA é licenciado, não vendido.

- CONCESSÃO DA LICENÇA. Este CLUF (EULA), concede a V.Exa. os seguintes direitos:
 - Instalação e Uso do Software - Para cada licença que V.Exa. adqure, apenas poderá ter uma cópia do PROGRAMA instalado.
 - Armazenamento/Uso em Rede - O PROGRAMA não pode ser instalado, acedido, apresentado, executado, partilhado ou utilizado de forma concomitante em ou a partir de diferentes computadores, incluindo estações de trabalho, terminais ou outros dispositivos electrónicos digitais ("Dispositivo"). Por outras palavras, se V.Exa. tem várias estações de trabalho, terá de adquirir uma licença para cada estação de trabalho onde o SOFTWARE vai ser utilizado.
 - Cópia de Segurança - V.Exa. poderá efectuar cópias de segurança do PROGRAMA, mas poderá apenas ter uma cópia por cada licença instalada numa determinada altura. V. Exa. apenas poderá utilizar a cópia de segurança para efeitos de arquivo. Excepto quando expressamente mencionado neste CLUF (EULA , V.Exa. não poderá efectuar cópias do PROGRAMA, incluindo os materiais impressos que acompanham o SOFTWARE.
- DESACLIÇÃO DE OUTROS DIREITOS E LIMITAÇÕES
 - Limitações sobre Engenharia Inversa, Descompilação e Desmontagem - V. Exa. não poderá fazer engenharia inversa, descompilação ou desmontagem do PROGRAMA, excepção feita à actividade cuja extensão é permitida por lei aplicável, sem oposição a esta limitação. V. Exa. não poderá efectuar alterações ou modificações ao Software, sem a autorização escrita por parte de um responsável da DSC. V.Exa. não poderá remover notas de propriedade, marcas ou etiquetas do Programa. V.Exa. irá instituir medidas responsáveis para que possa garantir a conformidade com os termos e condições deste CLUF (EULA).
 - Separação de Componentes - O PROGRAMA é licenciado como um produto único. As partes que o constituem não podem ser separadas para utilização em mais do que uma unidade de HARDWARE.
 - PRODUTO ÚNICO INTEGRADO - Se V.Exa. adquiriu este SOFTWARE com HARDWARE, então o PROGRAMA é licenciado com o HARDWARE como um produto único integrado. Neste caso, o PROGRAMA só pode ser utilizado com o HARDWARE, como determinado neste CLUF (EULA).
 - Aluguer - V.Exa. não poderá alugar, ceder ou emprestar o PROGRAMA. V.Exa. não poderá disponibilizá-lo a outros ou colocá-lo num servidor ou página Web.
 - Transferência do Programa - V.Exa. poderá transferir todos os seus direitos abrangidos por este CLUF (EULA) apenas como parte de uma venda ou transferência permanente do HARDWARE, desde que V.Exa. não fique com quaisquer cópias, transfira todo o PROGRAMA (incluindo todos os componentes, meios e materiais impressos, quaisquer upgrades e este CLUF (EULA)), desde que o receptor concorde com os termos deste CLUF (EULA). Se o PROGRAMA for um upgrade, qualquer transferência deverá incluir todas as versões anteriores do PROGRAMA.
 - Extinção - Sem prejuízo a quaisquer outros direitos, a DSC pode terminar este CLUF (EULA) se V.Exa. falhar no cumprimento dos termos e condições deste CLUF (EULA). Se tal acontecer, V.Exa. deverá destruir todas as cópias do PROGRAMA e todos os seus componentes.
 - Marcas Registradas - Este CLUF (EULA) não concede a V.Exa. quaisquer direitos em relação a quaisquer marcas registadas ou de serviço da DSC ou seus fornecedores.

- DIREITOS DE AUTOR
Todos os títulos e direitos de propriedade intelectual no e para o PROGRAMA (incluindo, mas não limitando, quaisquer imagens, fotografias e texto incorporado no PROGRAMA), os materiais impressos que o acompanham ou quaisquer cópias do PROGRAMA, são propriedade da DSC ou dos seus fornecedores. V.Exa. não poderá copiar os materiais impressos que acompanham o PROGRAMA. Todos os títulos e direitos de propriedade intelectual no e para o conteúdo que poderá vir a ser accedido através do uso do PROGRAMA são propriedade dos respectivos proprietários do conteúdo e poderão ser protegidos por direitos de autor aplicáveis ou outros tratados e leis de propriedade intelectual. Este CLUF (EULA) não confere a V.Exa. quaisquer direitos sobre o uso desses conteúdos. A DSC e os seus fornecedores reservam todos os direitos não expressos ao abrigo deste CLUF (EULA).
- RESTRICÇÕES À EXPORTAÇÃO

V.Exa. assume que não exportará ou reexportará o PROGRAMA para qualquer país, indivíduo ou entidade sujeito a restrições de exportação Canadianas.

5. LEGISLAÇÃO APLICÁVEL: Este Acordo de Licença de Software é regido pelas leis da Província de Ontário, Canada.

6. ARBITRAGEM

Todos os conflitos emergentes da relação com este Acordo serão determinados por arbitragem final e mandatária ao abrigo do Arbitration Act, ficando as partes sujeitas à decisão arbitral. O local designado para a arbitragem será Toronto, no Canada, e a língua utilizada na arbitragem será o Inglês.

7. LIMITES DE GARANTIA

(a) ISENÇÃO DE GARANTIA
A DSC FORNECE O SOFTWARE "TAL COMO ESTÁ" SEM GARANTIA. A DSC NÃO GARANTE QUE O SOFTWARE IRÁ AO ENCONTRO DOS SEUS REQUISITOS OU QUE O FUNCIONAMENTO DO SOFTWARE SEJA ININTERRUPTO OU LIVRE DE ERROS.

(b) ALTERAÇÕES AO AMBIENTE OPERATIVO

A DSC não se responsabiliza por problemas causados por alterações às características operativas do HARDWARE, ou por problemas na interacção do PROGRAMA com SOFTWARE ou HARDWARE não produzido pela DSC.

(c) LIMITAÇÕES DE RESPONSABILIDADE: A GARANTIA REFLECTE A ALOCAÇÃO DE RISCO
EM QUALQUER CASO, SE ALGUM ESTATUTO IMPLICAR GARANTIAS OU CONDIÇÕES NÃO MENCIONADAS NESTE ACORDO DE LICENÇA, A RESPONSABILIDADE TOTAL DA DSC NÃO SERÁ SUPERIOR AO VALOR EFECTIVAMENTE PAGO POR V.EXA. PELA LICENÇA DESTA PROGRAMA E CINCO DOLARES CANADIANOS (CAD\$5.00). PORQUE ALGUMAS JURISDIÇÕES NÃO PERMITEM A EXCLUSÃO OU LIMITAÇÃO DE RESPONSABILIDADE PARA DANOS CONSEQUENTES OU ACIDENTAIS, A LIMITAÇÃO ACIMA INDICADA PODERÁ NÃO SE APLICAR A V.EXA..

(d) ISENÇÃO DE GARANTIAS

ESTA GARANTIA CONTEM A GARANTIA COMPLETA E DEVERÁ PREVALECER SOBRE TODA E QUALQUER GARANTIA EXPRESSA OU IMPLÍCITA (INCLUINDO TODAS AS GARANTIAS DE COMERCIALIZAÇÃO OU ADAPTAÇÃO PARA UM DETERMINADO FIM.) E A TODAS AS OUTRAS OBRIGAÇÕES OU RESPONSABILIDADES POR PARTE DA DSC. A DSC NÃO DÁ QUALQUER OUTRAS GARANTIAS. A DSC NÃO ASSUME NEM AUTORIZA QUALQUER OUTRA PESSOA A AGIR EM SEU NOME NA MODIFICAÇÃO DESTA GARANTIA, NEM PARA QUE POSSA ASSUMIR POR SI (DSC) QUALQUER OUTRA GARANTIA OU RESPONSABILIDADE RELACIONADA COM ESTE PROGRAMA.

(e) DIREITOS EXCLUSIVOS E LIMITAÇÃO DE GARANTIA

EM NENHUMA CIRCUNSTÂNCIA SERÁ A DSC RESPONSABILIZADA POR QUAISQUER DANOS ESPECIAIS, ACIDENTAIS, CONSEQUENTES OU INDIRECTOS RESULTANTES DE FALHAS NA GARANTIA, FALHAS NO CONTRATO, NEGLIGENCEIA, RESPONSABILIDADE OBJECTIVA, OU QUALQUER OUTRAS TEORIAS LEGAIS. TAIS DANOS INCLUEM, MAS NÃO LIMITAM, PERDA DE LUCROS, PERDA DO PROGRAMA OU EQUIPAMENTO ASSOCIADO, CUSTO DE CAPITAL, CUSTOS COM EQUIPAMENTO DE SUBSTITUIÇÃO, INSTALAÇÕES OU SERVIÇOS, TEMPO MORTO, TEMPO DE COMPRA, EXIGÊNCIAS DE TERCEIROS, INCLUINDO CLIENTES, E PREJUÍZO SOBRE A PROPRIEDADE.

ATENÇÃO: A DSC recomenda que todo o sistema seja completamente testado numa base de regularidade. Contudo, e apesar da testagem frequente, e devido a, mas não limitando, comportamento criminoso ou falha eléctrica, é possível que este PROGRAMA possa não funcionar como é esperado.



DSC
A Tyco International Company

©2014 Digital Security Controls Toronto, Canadá • www.dsc.com
Assistência Técnica: 1-800-387-3630 (Canadá e EUA), 905-760-3036

PowerSeries
neo

