

INDOOR SOUNDERS

ACOUSTIC GENERAL ROULES

- Every time you bend the distance, 6 dBs are lost.
- 30 DBs are lost for every fire door.
- 20 DBs are lost for every normal door.

Sound Level (dB-(A))	Distance (m)
120	1
114	2
108	4
102	8
96	16
90	32
84	64

Indoor sounders to connect directly to control panel outputs or relay modules.



6 INCHES ALARM BELL CA6

Operating voltage_____ 24 Vcc
 Consumption_____ 25 mA
 Output volume_____ 95dBA at 1 m, 92dBA at 3 m
 Operating temperature_____ -20°C to 60°C
 Humidity_____ Max. 90% RH
 Size_____ 6" (150 mm x 56 mm)
 Weight_____ 764 g
 IP Protection_____ IP33

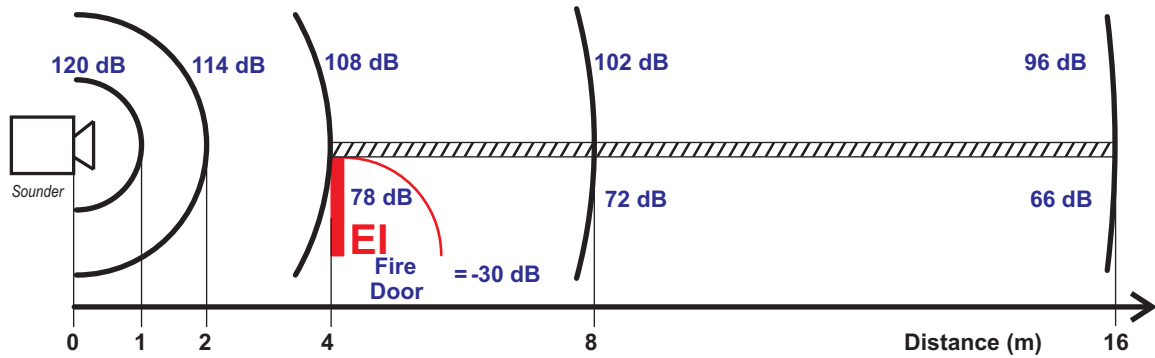


SIR24P AND SIR24F SOUNDERS

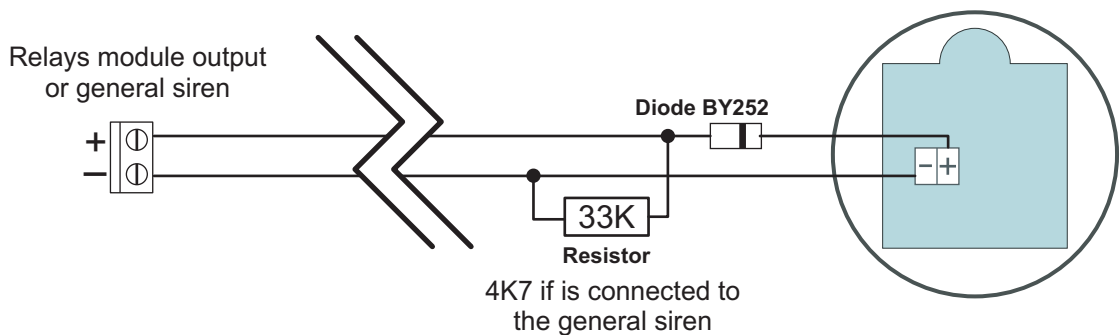
Material_____ Red P.V.C.
 Operating Voltage_____ 24 Vcc
 Consumption at 24 Vcc_____ 25 mA
 Consumption at 30 Vcc_____ 35 mA
 Power_____ 105 dB
 Operating Temperature_____ 5°C to 40°C
 Size_____ 80 x 80 x 30 mm
 Withe intermittent flash_____ Only SIR24F

Wiring Diagrams

Example of variation of the sound intensity with the distance of an alarm device



6 INCHES ALARM BELL CA6



SIR24P AND SIR24F SOUNDERS

