

DS-K3G411X Tripod Turnstile



The DS-K3G411X series tripod turnstile is designed to detect unauthorized entrance or exit. By adopting the turnstile integratedly with the access control system, It is widely used in attractions, stadiums, construction sites, residences, etc.

- Bidirectional (Entering/Exiting) lane
- LED indicates the entrance/exit and passing status except "Pg" type model.
- Fire alarm passing: When the fire alarm is triggered, the arm will be dropped automatically for emergency evacuation.
- Valid passing duration settings: System will cancel the passing permission if a person does not pass through the lane within the valid passing duration
- With key buttons to configure turnstile's functions and parameters offline.
- Support ISAPI proctol to intergrated with 3rd software management system.

▪ Specification

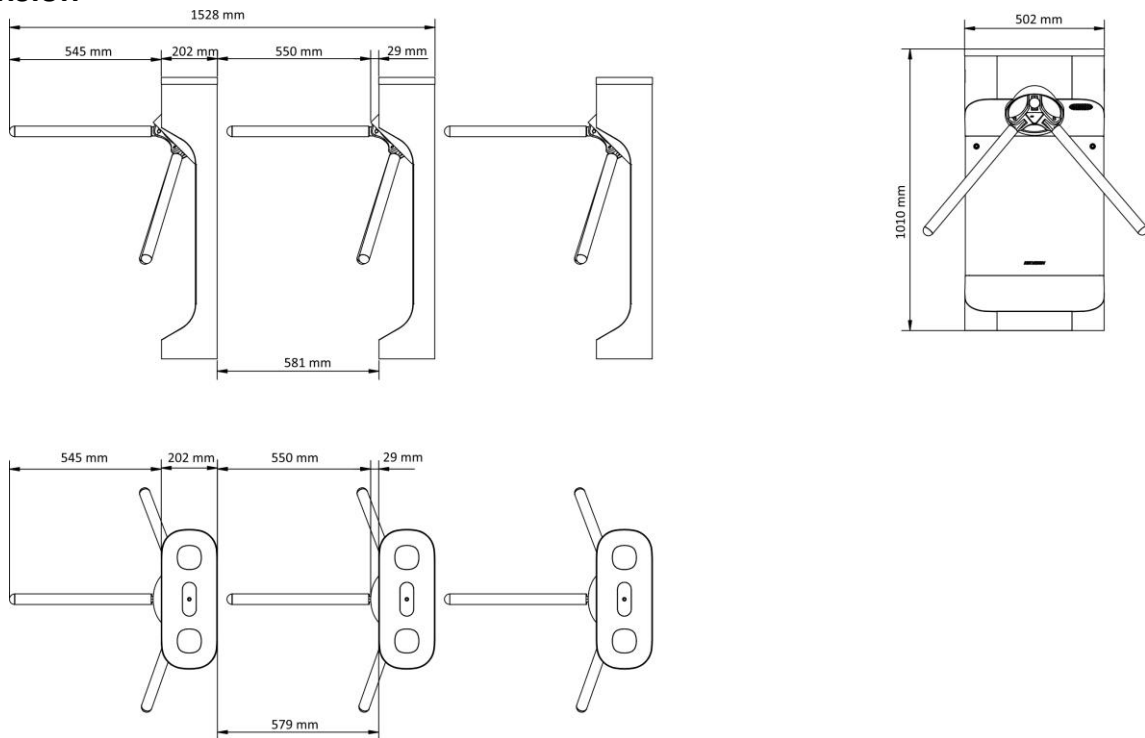
System	
Motor	NA
MCBF	≥ 3 million times
Network	
Communication protocol	ISAPI
Wired network	10/100 Mbps self-adaptive Ethernet
Interface	
Network interface	1
Lock control	2
Exit button	2
Alarm output	2
TAMPER	NA
RS-485	4
RS-232	4
Wiegand	NA
Fire alarm input	1
Case input	2
Hardware	
Access controller	Supplied
Power supply for face recognition module	Supplied for“Pg”type
Keyfob	Not supplied Need order separately
Capacity	
Card capacity	500,000
Event capacity	500,000
Authentication	
Card type	EM/M1/Desfire/Felica
Function	
Configuration via Web browser	Support
Configuration via mobile Web browser	Support
QR code recognition	Optional
Audio prompt	Optional
Keypad configuration	Support
General	
Throughput	More than 35 persons per minute The actual throughput is affected by the person passing rate and passing method.
Lane width	550 mm
Barrier material	SUS304 stainless steel pipe
Pedestal material	SUS304 stainless steel thickness 1.2 mm(0.05")
Power	Switching power supply: 100 to 240 VAC; 50 to 60 Hz Power adapter: 100 to 240 VAC; 50 to 60 Hz

Power consumption	45 W (stand by)
Working temperature	Switching power supply: -20 °C to 65 °C (-4 °F to 149 °F) Power adapter: -10 °C to 45 °C (14 °F to 113 °F)
Working humidity	0% to 95% (No condensing)
Protective level	NA
Dimensions	Without package: 502 mm × 202 mm × 1010 mm (19.8" × 8.0" × 40.0") With package: 745 mm × 365 mm × 1120 mm (29.3" × 14.4" × 44.1")
Weight	Without package: 26 kg (57.3 lb) With package: 31 kg (68.41 lb)
Approval	CE/CE-LVD/CB/RoHS/REACH/WEEE
Configuration	
Lane width	550
Pedestal length	502 mm
Module selection	YES
Pedestal width	202 mm
Wall distance	20 mm
Base	YES
Barrier material	Stainless steel pipe
Application environment	Indoor
Authentication mode	Card,Face,QR code
Card type	EM, M1, Desfire
Recommended width	550
Base model	DS-K3G411-BASE
Side pedestal	YES
Side pedestal type	Fence (130 mm)
Product type	Tripod Turnstile
Remote controller type	433 Mhz, 868 Mhz
Movement Protrusion Width	29 mm

▪ Available Model

DS-K3G411X

▪ **Dimension**



▪ **Accessory**

▪ **Included**

DS-K3M210



▪ **Optional**

DS-K7R01-868 Wireless Kefob 868MHz	DS-K7R01-433 Wireless Kefob 433MHz	DS-KAB6-ZU1	DS-K3G411-BASE
			

Headquarters

No.555 Qianmo Road, Binjiang District,
Hangzhou 310051, China
T +86-571-8807-5998
www.hikvision.com



Follow us on social media to get the latest product and solution information.

